

## LED FLOOD LIGHT

### WARRANTY

- |                                                                                                                                                                                                                                                                                                                                                                                                                                                                                                                                                      |                                                                                                                                                                                                                                                                                                                                                                                                                                                                                                                     |
|------------------------------------------------------------------------------------------------------------------------------------------------------------------------------------------------------------------------------------------------------------------------------------------------------------------------------------------------------------------------------------------------------------------------------------------------------------------------------------------------------------------------------------------------------|---------------------------------------------------------------------------------------------------------------------------------------------------------------------------------------------------------------------------------------------------------------------------------------------------------------------------------------------------------------------------------------------------------------------------------------------------------------------------------------------------------------------|
| <ol style="list-style-type: none"> <li>1. 5-year warranty replacement warranty will be provided during the warranty period if the lamp suffers quality problems.</li> <li>2. During the warranty period, the customer shall return the damaged goods or failed parts for inspection and repair by Goldenlux. Goldenlux will then send the fixed or new parts back.</li> <li>3. A replacement warranty will be provided once valid documents are presented.</li> <li>4. The following circumstances will not receive replacement warranty:</li> </ol> | <ol style="list-style-type: none"> <li>① Damage caused, including, but not limited to, damage from abnormal working conditions, improper usage, storage that does not conform to the instruction manual;</li> <li>② Dismantling, modification or improper installation or repairing of the products without Goldenlux's authorization;</li> <li>③ No valid documents;</li> <li>④ Damages caused by environmental circumstances including, but not limited to, fire, flood, lightning strike, earthquake.</li> </ol> |
|------------------------------------------------------------------------------------------------------------------------------------------------------------------------------------------------------------------------------------------------------------------------------------------------------------------------------------------------------------------------------------------------------------------------------------------------------------------------------------------------------------------------------------------------------|---------------------------------------------------------------------------------------------------------------------------------------------------------------------------------------------------------------------------------------------------------------------------------------------------------------------------------------------------------------------------------------------------------------------------------------------------------------------------------------------------------------------|

### WARNING

**To avoid the risk of fire, explosion, or electric shock:** this product should be installed, inspected, and maintained by a qualified electrician only, in accordance with all applicable electrical codes. \*Verify power wire is by following per under applicable electrical codes.

**To avoid electric shock:**

- Be certain electrical power is OFF before and during installation and maintenance.
- Luminaires must be supplied by a wiring system suitable per local code with an equipment grounding conductor.

**To avoid burning hands:**



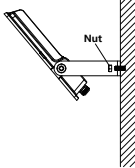
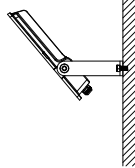
- Before performing maintenance, ensure Luminaire is allowed to cool after powering off for a period of 10 minutes.

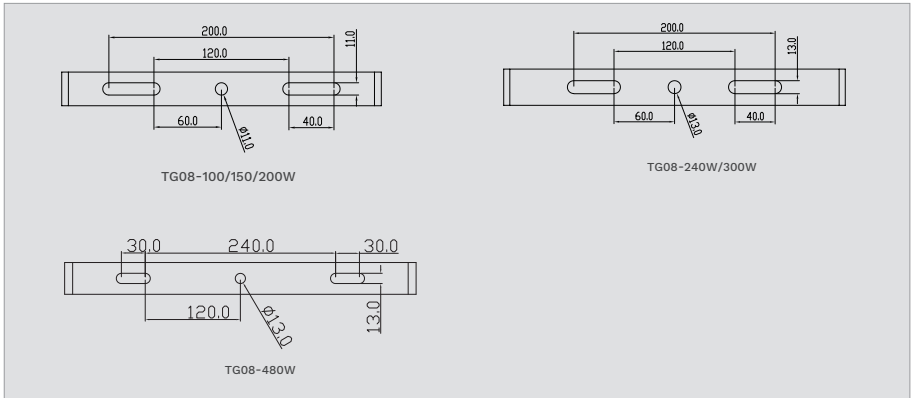
**To avoid product degradation:**

- Do not operate in ambient temperatures above those indicated on the luminaire date sheet.
- Use proper supply wiring as specified on the luminaire data sheet.
- Avoid use in environments containing sulfur, chlorine or other halides, methyl acetate or ethyl acetate, cyanoacrylates, glycol ethers, formaldehyde, or butadiene.
- Mount luminaire no less than 36 inches from the ceiling.
- Make sure the supply voltage is within the voltage range stated on the date sheet.
- Use only replacement parts from Goldenlux.
- Aircraft cable mounting is recommended for dry locations only.
- Use only Goldenlux or equivalent parts for mounting luminaire.

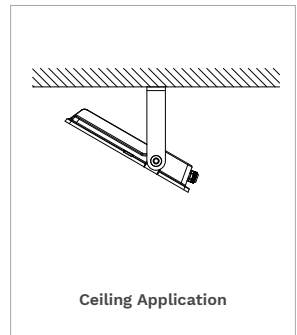
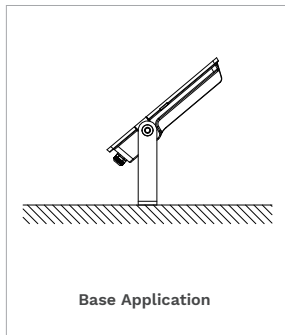
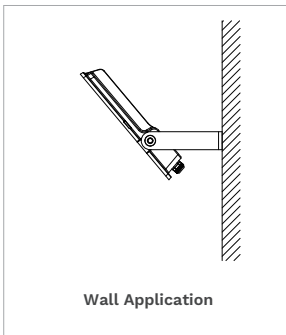
### MOUNTING

#### PENDANT EYEBOLT MOUNTING

<p><b>STEP 1</b></p> <p>Drill hole on the wall.</p> 	<p><b>STEP 2</b></p> <p>Put the expansion screw into the wall.</p> 	<p><b>STEP 3</b></p> <p>Fasten the lamp on the wall.</p> 	<p><b>STEP 4</b></p> <p>Wire according to the diagram.</p> 
-----------------------------------------------------------------------------------------------------------------------------------------	--------------------------------------------------------------------------------------------------------------------------------------------------------	----------------------------------------------------------------------------------------------------------------------------------------------	------------------------------------------------------------------------------------------------------------------------------------------------



**CEILING MOUNTING:**



**REFER TO THE WIRING DIAGRAM TO MAKE ELECTRICAL CONNECTIONS**

